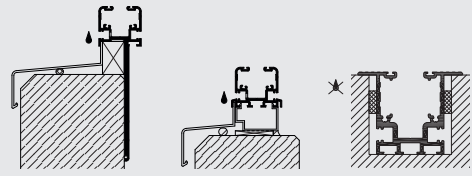
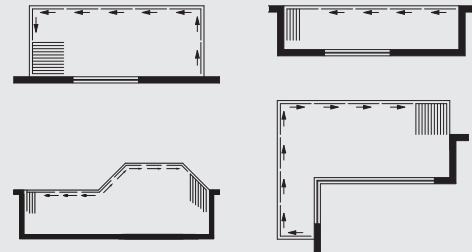


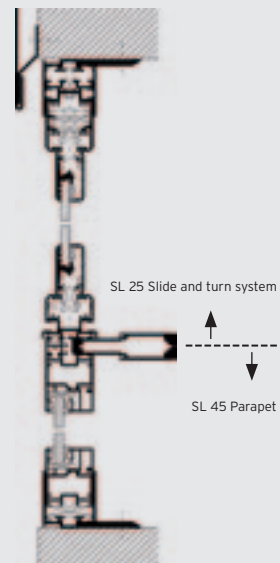
FLOOR TRACKS



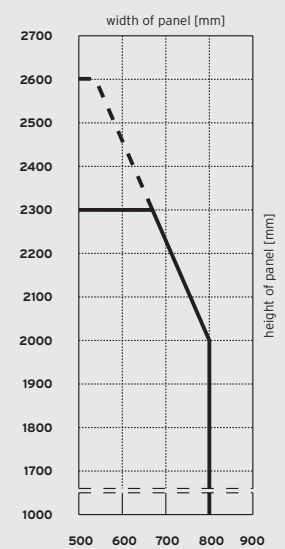
CONFIGURATION VARIANTS



VERTICAL SECTION



PANEL SIZE CHART



VARIANTS

- Available as top hung panels
- Panels can be ordered to open either internally or externally, to the left and/or right

PROFILE SYSTEM

- Profile thickness 27 mm
- All-glass slide and turn system
- In-line support, no vertical frames

WINDOW SYSTEM

- Can be combined with SL 45 window system: parapets, fixed panels, tilt and turn

FITTINGS

- No protruding runner and guide tracks
- Concealed fittings for one hand operation
- Integrated 2-step-locking
- Patented one handed operation by means of stainless steel cable control
- Child lock / lockable intruder protection (optional)
- Extensive layout options thanks to mobile carriage which can be manoeuvred through all angles from 90° - 180°
- No parking station for panels required

GLAZING

- Glazing with single pane safety glass
- Glass thickness 6, 8 or 10 mm available

SURFACE FINISH

- Powder coating to RAL
- Anodised aluminium to EURAS

MAXIMUM PANEL SIZES

- 800 x 2000 mm
- 675 x 2300 mm
- Special sizes on request
- The total element width is unlimited

TESTED FOR

- TÜV certificate No.: B 99 09 37329 001
- 18.000 cycles - vacuum and pressure tested, both +/-1.000 Pa
- 10.000 opening and closing operation cycles
- Pendulum impact test with 45 kg penetrator which impacts the glazing from a deflection angle of 30° and with a radius of 1.2 m
- Otto-Graf-Institut, University of Stuttgart test report No.: 25-31188, system test
- IWT (Institute of Window Technology) certificate No. 106 31293



56702-01-900 / 09.2011 / subject to technical changes

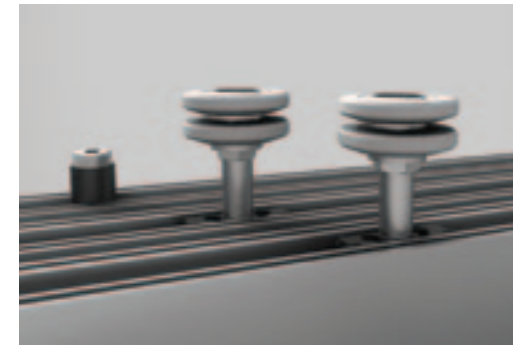


SLIDE AND TURN SYSTEM
SL 25



ENGINEERED

Horizontal twin ball bearing runner devices guarantee that window sashes can be slid open extremely smoothly.



TRANSPARENCY

The all-glass slide and turn system is completely transparent whilst at the same time providing protection from rain and reducing noise (17db).



COMFORT

The turning panel with knob provides easy internal and external one hand operation (optional).



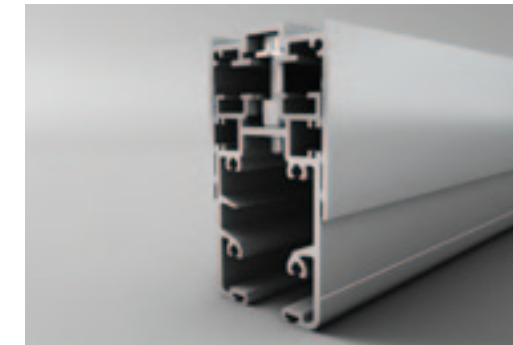
WIDTH ADJUSTMENT

Width compensation up to 30 mm by means of adjustable frame and panel stops - important to compensate building tolerances.



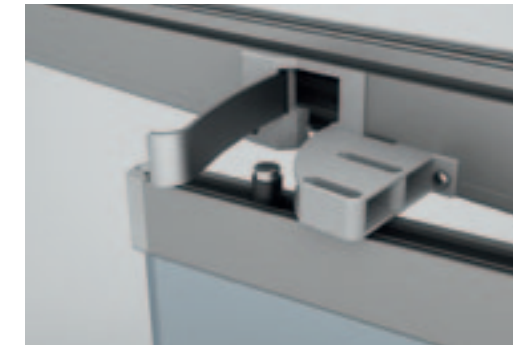
HEIGHT ADJUSTMENT

The height compensation profile allows adjustment of up to 35 mm for the panels even after installation.



VENTILATION

The lockable two-step ventilation allows controlled air circulation (optional).



BARRIER FREE

The flush floor track ensures barrier free living for both patio or balcony. High security through pin and socket locking system.



CLEANING

Cleaning of the outer glass surface is easily carried out from the inside.

